



# Front Loader Series

## Perfect for Potters and Schools

### Built-in Vent

EnviroVent 2 included. Exits fumes from classroom and improves firing results.

### Automatic Power Shut-off Switch

Power is shut-off to the kiln when the door is opened automatically.

### Zone Control Standard

3 Zone control standard for more even firing results.

### KilnMaster Controller

Easy to program, KilnLink ready with built in diagnostics.

### Elements in the Floor

Many kilns fire cool on the bottom. This one won't.

### Light Weight Door and Roof Design

Fiber roof and door provide improved insulation and life.

### Easy Change Element Design

Elements are faster, easier to change so they will save you money on kiln maintenance.

### Durable/Reflective Fiber Coating

Fiber is coated with a refractory paint that strengthens the fiber and improves heat uniformity.



## KM14F

Additional Models Available



### Solid State Relays

Solid State relays are standard for long life and limited maintenance.

### Built-In Heavy Duty Zinc Coated Stand

This heavy duty zinc coated stand is built-in for added strength and stability.

### Innovative Wall Design

Wall design combines brick, fiber and air to provide maximum durability and efficiency.

### Sized to Fit Through Standard Doorway

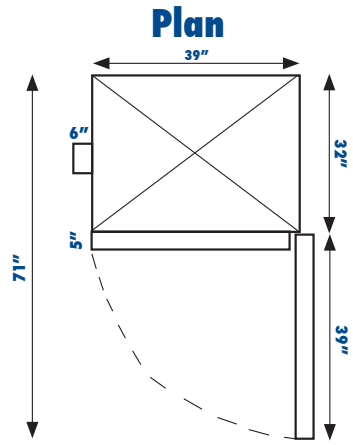
Remove the door (4 Bolts) and the model KM14F will pass through a 32" doorway.



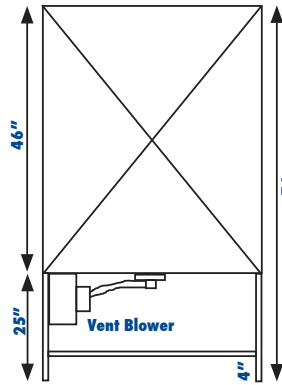
MODEL	PHASE	VOLTS	AMPS	WATTS	CONE	TEMP	CU. FT.	HEIGHT	WIDTH	DEPTH	SHIPPING WT.	COPPER WIRE SIZE	BREAKER SIZE	NEMA RECEPTACLE CONFIG
KM14F	1	240	70	17000	10	2350	14	36"	26.5"	24.75"	1100 LBS	3	90	DIRECT WIRE
	1	208	82	17000	10	2350	14	36"	26.5"	24.75"	1100 LBS	2	110	DIRECT WIRE
	3	240	40	17000	10	2350	14	36"	26.5"	24.75"	1100 LBS	8	50	DIRECT WIRE
	3	208	48	17000	10	2350	14	36"	26.5"	24.75"	1100 LBS	6	60	DIRECT WIRE
KM16F	1	240	80	19000	10	2350	16	36"	26.5"	28.0"	1100 LBS	3	100	DIRECT WIRE
	1	208	92	19000	10	2350	16	36"	26.5"	28.0"	1100 LBS	1	125	DIRECT WIRE
	3	240	46	19000	10	2350	16	36"	26.5"	28.0"	1100 LBS	6	60	DIRECT WIRE
	3	208	53	19000	10	2350	16	36"	26.5"	28.0"	1100 LBS	4	70	DIRECT WIRE

For more information on Skutt Kilns or to find a distributor, visit us at [www.skutt.com](http://www.skutt.com) or call us directly at 503.774.6000

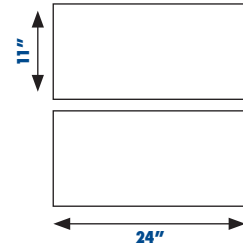
# KM 14F



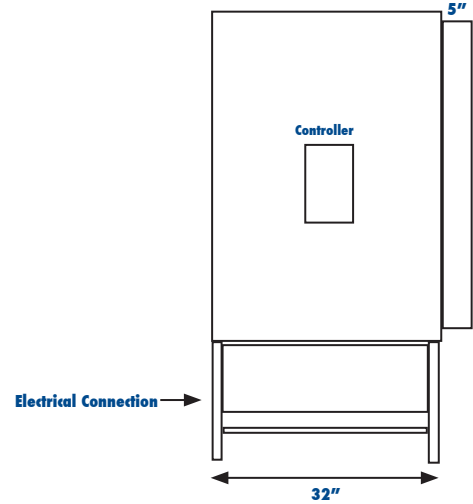
**Elevation**



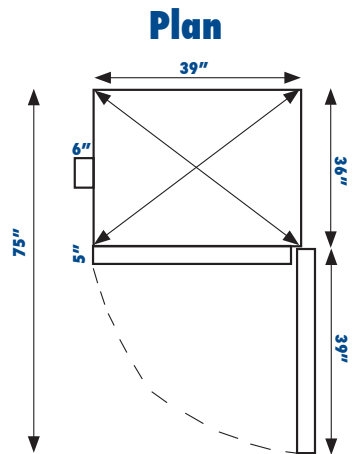
**Shelf Plan**



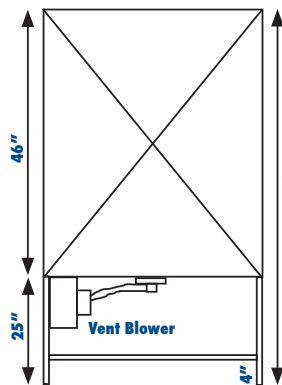
**Side View**



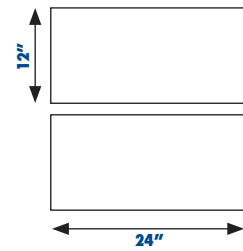
# KM 16F



**Elevation**



**Shelf Plan**



**Side View**

